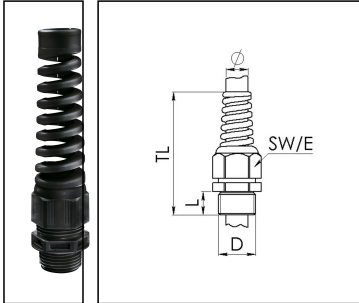


SKVS 7

Cable gland with bend protection, polyamide, Pg 7, RAL 9005



Products may differ in size, colour and appearance to those shown. If you require further information or customisation, please contact us directly.



Material cable gland	Polyamide
Material sealing gasket	EPDM
Protection class	IP69, IP68 (5 bar 30 min)
Temp. range min	-20 °C
Temp. range max	80 °C
Glow wire test	750 °C
Thread type	PG
Ø Connection thread D	7
Length screw-in thread L	8 mm
Ø cable diameter min	3 mm
Ø cable diameter max	6,5 mm
Key width SW	15 mm
Collar diameter (E)	17 mm
Total length TL	68 mm
Type of cable anchorage	A
Product Color	RAL 9005
Type	SKVS 7
Order no. RAL 9005	10061871
Packing unit	100
ETIM-Classification	EC000441

Recommended accessories

MUG 7	10060680
-------	----------

Your Contact:

WISKA America SRL

Mr. Alexander Bauer · Cervantes 911 c/Venezuela · Asunción · Paraguay

☎ +595-992-921719 · 📠 +49-4191-508-129

a.bauer@wiska.de · www.wiska.lat



ADR 7	10061419
RDE 12	10062183
BS 6	10064004
MFD 12/04/020	10064392
MFD 12/02/020	10100525

19.10.2019

Your Contact:

WISKA America SRL

Mr. Alexander Bauer · Cervantes 911 c/Venezuela · Asunción · Paraguay

 +595-992-921719 ·  +49-4191-508-129

a.bauer@wiska.de · www.wiska.lat



Your Contact:
WISKA America SRL
Mr. Alexander Bauer · Cervantes 911 c/Venezuela · Asunción · Paraguay
☎ +595-992-921719 · 📠 +49-4191-508-129
a.bauer@wiska.de · www.wiska.lat