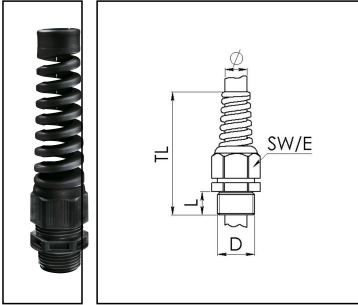


## SKVS 13,5

Cable gland with bend protection, polyamide, Pg 13,5 RAL 9005



Products may differ in size, colour and appearance to those shown. If you require further information or customisation, please contact us directly.



<b>Material cable gland</b>	Polyamide
<b>Material sealing gasket</b>	EPDM
<b>Protection class</b>	IP69, IP68 (5 bar 30 min)
<b>Temp. range min</b>	-20 °C
<b>Temp. range max</b>	80 °C
<b>Glow wire test</b>	750 °C
<b>Thread type</b>	PG
<b>Ø Connection thread D</b>	13,5
<b>Length screw-in thread L</b>	9 mm
<b>Ø cable diameter min</b>	6 mm
<b>Ø cable diameter max</b>	12 mm
<b>Key width SW</b>	24 mm
<b>Collar diameter (E)</b>	27 mm
<b>Total length TL</b>	105 mm
<b>Type of cable anchorage</b>	A
<b>Product Color</b>	RAL 9005
<b>Type</b>	SKVS 13,5
<b>Order no. RAL 9005</b>	10061874
<b>Packing unit</b>	25
<b>ETIM-Classification</b>	EC000441

### Recommended accessories

<b>MFD 25/02/060</b>	10060452
----------------------	----------

Your Contact:

WISKA America SRL

Mr. Alexander Bauer · Cervantes 911 c/Venezuela · Asunción · Paraguay

☎ +595-992-921719 · 📠 +49-4191-508-129

a.bauer@wiska.de · www.wiska.lat

<b>MUG 13,5</b>	10060683
<b>RDE 25</b>	10060768
<b>MFD 25/02/080</b>	10060952
<b>MFD 25/01/065</b>	10060954
<b>ADR 13,5</b>	10061422
<b>MFD 25/02/070</b>	10063995
<b>MFD 25/03/070</b>	10064342
<b>MFD 25/04/060</b>	10064343
<b>MFD 25/01/090</b>	10101016
<b>MFD 25/01/105-01/055</b>	10101255
<b>MFD 25/05/056</b>	10102023

19.10.2019

Your Contact:

**WISKA America SRL**

Mr. Alexander Bauer · Cervantes 911 c/Venezuela · Asunción · Paraguay

☎ +595-992-921719 · 📠 +49-4191-508-129

a.bauer@wiska.de · www.wiska.lat



Your Contact:  
**WISKA America SRL**  
Mr. Alexander Bauer · Cervantes 911 c/Venezuela · Asunción · Paraguay  
☎ +595-992-921719 · 📠 +49-4191-508-129  
a.bauer@wiska.de · www.wiska.lat