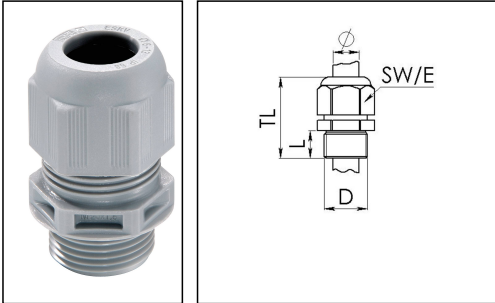


ESKV 16 LT

Cable gland LowTemp, polyamide, M16, RAL 7001 with short thread



Product illustrations are exemplary and may differ from the chosen product. Further variants and individual customization, we will gladly provide you on request.



Material cable gland	Polyamide
Material sealing gasket	Silicone
Protection class	IP69, IP68 (5 bar 30 min)
Temp. range min	-60 °C
Temp. range max	100 °C
Glow wire test	750 °C
Thread type	M
Ø Connection thread D	16
Lead	1,5
Length screw-in thread L	9 mm
Ø cable diameter min	4,5 mm
Ø cable diameter max	10 mm
Key width SW	20 mm
Collar diameter (E)	22 mm
Total length TL	31 mm - 37 mm
Type of cable anchorage	A
Install. torques fitting	3,5 N m
Install. torques cap nut	1,5 N m
Impact category	3
Product Color	RAL 7001
Type	ESKV 16 LT
Order no. RAL 7001	10061957
Packing unit	50
ETIM-Classification	EC000441

Your Contact:

WISKA America SRL

Mr. Alexander Bauer · Cervantes 911 c/Venezuela · Asunción · Paraguay

☎ +595-992-921719 · 📠 +49-4191-508-129

a.bauer@wiska.de · www.wiska.lat

Recommended accessories



RDE 16 LT	10063908
BS 10	10064008
EADR 16/90 LT	10105705

17.12.2018

Your Contact:

WISKA America SRL

Mr. Alexander Bauer · Cervantes 911 c/Venezuela · Asunción · Paraguay

 +595-992-921719 ·  +49-4191-508-129

a.bauer@wiska.de · www.wiska.lat



Your Contact:

WISKA America SRL

Mr. Alexander Bauer · Cervantes 911 c/Venezuela · Asunción · Paraguay

☎ +595-992-921719 · 📠 +49-4191-508-129

a.bauer@wiska.de · www.wiska.lat