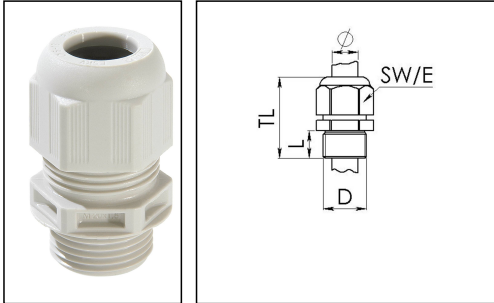


## ESKV 25

Cable gland, polyamide, M25, RAL 7035 with short thread



Product illustrations are exemplary and may differ from the chosen product. Further variants and individual customization, we will gladly provide you on request.



Material cable gland	Polyamide
Material sealing gasket	EPDM
Protection class	IP69, IP68 (5 bar 30 min)
Temp. range min	-40 °C
Temp. range max	100 °C
Glow wire test	750 °C
Thread type	M
Ø Connection thread D	25
Lead	1,5
Length screw-in thread L	10 mm
Ø cable diameter min	9 mm
Ø cable diameter max	17 mm
Ø cable diameter UL	10,8 mm - 15,8 mm
Key width SW	29 mm
Collar diameter (E)	32 mm
Total length TL	38 mm - 47 mm
Type of cable anchorage	A
Install. torques fitting	10 N m
Install. torques cap nut	4 N m
Impact category	4
Product Color	RAL 7035
Type	ESKV 25
Order no. RAL 7035	10066413
Packing unit	50
ETIM-Classification	EC000441

Your Contact:

WISKA America SRL

Mr. Alexander Bauer · Cervantes 911 c/Venezuela · Asunción · Paraguay

☎ +595-992-921719 · 📠 +49-4191-508-129

a.bauer@wiska.de · www.wiska.lat

## Recommended accessories

<b>MFD 25/02/060</b>	10060452
<b>RDE 25</b>	10060768
<b>EMUG 25</b>	10060773
<b>MFD 25/02/080</b>	10060952
<b>MFD 25/01/065</b>	10060954
<b>EADR 25</b>	10062804
<b>MFD 25/02/070</b>	10063995
<b>BS 17</b>	10064012
<b>MFD 25/03/070</b>	10064342
<b>MFD 25/04/060</b>	10064343
<b>MFD 25/01/090</b>	10101016
<b>MFD 25/01/105-01/055</b>	10101255
<b>MFD 25/05/056</b>	10102023

17.12.2018

Your Contact:

**WISKA America SRL**

Mr. Alexander Bauer · Cervantes 911 c/Venezuela · Asunción · Paraguay

☎ +595-992-921719 · 📠 +49-4191-508-129

a.bauer@wiska.de · www.wiska.lat



Your Contact:  
**WISKA America SRL**  
Mr. Alexander Bauer · Cervantes 911 c/Venezuela · Asunción · Paraguay  
☎ +595-992-921719 · 📠 +49-4191-508-129  
a.bauer@wiska.de · www.wiska.lat