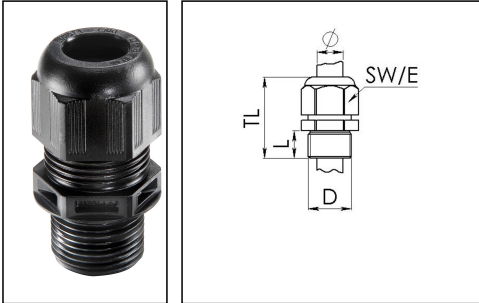


ESKV-L 50

Cable gland, polyamide, M50, RAL 9005 with long thread



Product illustrations are exemplary and may differ from the chosen product. Further variants and individual customization, we will gladly provide you on request.



Material cable gland	Polyamide
Material sealing gasket	EPDM
Protection class	IP69, IP68 (5 bar 30 min)
Temp. range min	-40 °C
Temp. range max	100 °C
Glow wire test	750 °C
Thread type	M
Ø Connection thread D	50
Lead	1,5
Length screw-in thread L	18 mm
Ø cable diameter min	21 mm
Ø cable diameter max	35 mm
Ø cable diameter UL	24,3 mm - 33,4 mm
Key width SW	55 mm
Collar diameter (E)	61 mm
Total length TL	63 mm - 76 mm
Type of cable anchorage	A
Install. torques fitting	30 N m
Install. torques cap nut	30 N m
Impact category	5
Equipment	Incl. connection thread gasket
Product Color	RAL 9005
Type	ESKV-L 50
Order no. RAL 9005	10066506
Packing unit	10

Your Contact:

WISKA America SRL

Mr. Alexander Bauer · Cervantes 911 c/Venezuela · Asunción · Paraguay

☎ +595-992-921719 · 📠 +49-4191-508-129

a.bauer@wiska.de · www.wiska.lat

Recommended accessories

EMUG 50	10061786
RDE 50	10062188
MFD 50/25/050	10063102
BS 35	10064017
MFD 50/09/080	10064394

15.08.2018

Your Contact:

WISKA America SRL

Mr. Alexander Bauer · Cervantes 911 c/Venezuela · Asunción · Paraguay

☎ +595-992-921719 · 📠 +49-4191-508-129

a.bauer@wiska.de · www.wiska.lat



Your Contact:

WISKA America SRL

Mr. Alexander Bauer · Cervantes 911 c/Venezuela · Asunción · Paraguay

☎ +595-992-921719 · 📠 +49-4191-508-129

a.bauer@wiska.de · www.wiska.lat