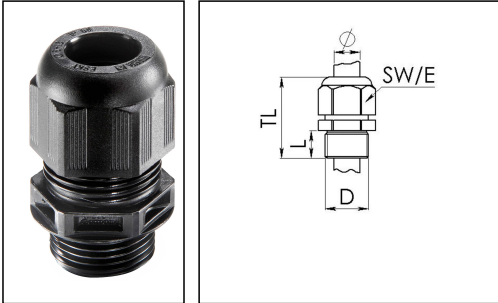


## ESKV 12 EADR

Cable gland, polyamide, M12, RAL 9005 with short thread



Product illustrations are exemplary and may differ from the chosen product. Further variants and individual customization, we will gladly provide you on request.



<b>Material cable gland</b>	Polyamide
<b>Material sealing gasket</b>	EPDM
<b>Protection class</b>	IP69, IP68 (5 bar 30 min)
<b>Temp. range min</b>	-40 °C
<b>Temp. range max</b>	100 °C
<b>Glow wire test</b>	750 °C
<b>Thread type</b>	M
<b>Ø Connection thread D</b>	12
<b>Lead</b>	1,5
<b>Length screw-in thread L</b>	9 mm
<b>Ø cable diameter min</b>	3 mm
<b>Ø cable diameter max</b>	7 mm
<b>Ø cable diameter UL</b>	4,1 mm - 6 mm
<b>Key width SW</b>	16 mm
<b>Collar diameter (E)</b>	18 mm
<b>Total length TL</b>	29 mm - 34 mm
<b>Type of cable anchorage</b>	A
<b>Install. torques fitting</b>	2 N m
<b>Install. torques cap nut</b>	2 N m
<b>Impact category</b>	2
<b>Equipment</b>	Incl. connection thread gasket
<b>Product Color</b>	RAL 9005
<b>Type</b>	ESKV 12 EADR
<b>Order no. RAL 9005</b>	10106248
<b>Packing unit</b>	100

Your Contact:

WISKA America SRL

Mr. Alexander Bauer · Cervantes 911 c/Venezuela · Asunción · Paraguay

☎ +595-992-921719 · 📠 +49-4191-508-129

a.bauer@wiska.de · www.wiska.lat

**Recommended accessories**

**BS 7**



10064005

22.04.2019

Your Contact:

**WISKA America SRL**

Mr. Alexander Bauer · Cervantes 911 c/Venezuela · Asunción · Paraguay

 +595-992-921719 ·  +49-4191-508-129

a.bauer@wiska.de · www.wiska.lat



Your Contact:

**WISKA America SRL**

Mr. Alexander Bauer · Cervantes 911 c/Venezuela · Asunción · Paraguay

☎ +595-992-921719 · 📠 +49-4191-508-129

a.bauer@wiska.de · www.wiska.lat