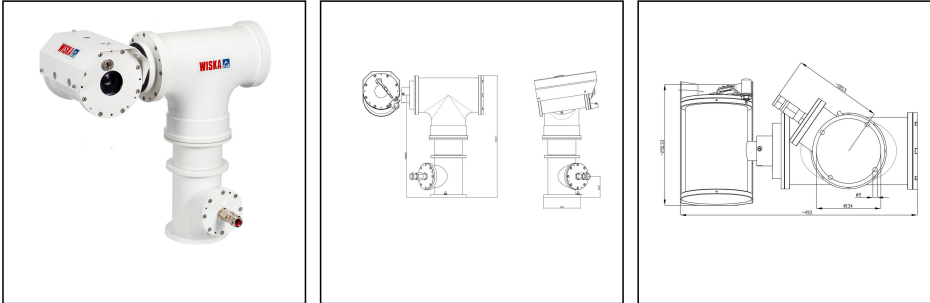


**CS-EX/W/4032/JB/230/IP/P**



Products may differ in size, colour and appearance to those shown. If you require further information or customisation, please contact us directly.



Type	CS-EX/W/4032/JB/230/IP/P
WISKA-Order no.	10112892
Material	Stainless steel
Surface	Powder coated
Colour	RAL 9016
Operational areas	Explosion protection
Zone	1
Explosion Groups	IIC
Temp.-class	T6
Type of protection	Ex db
Marking	II 2 G Ex db IIC T6 Gb
Approval	IECEX TUR 15.0009X, TÜV 15 ATEX 7677 X
Weight	35 kg
Protection class	IP66, IP68 (0,2bar, 30min)
Temp. range min	-30 °C
Temp. range max	55 °C
Humidity	100 %
Wash&Wipe	Wipe only
Resolution	max. 4MP (2560x1440)
Image Sensor	1/2.8" Starvis CMOS
Video Standard	Digital
Video Streaming	H.264/H.265/MJPEG
Zoom	Yes
Zoom (opt. x digi.)	512 (opt. 32x digi: 16x)
Frames per Second	30

Your Contact:  
**WISKA America SRL**  
 Mr. Alexander Bauer · Cervantes 911 c/Venezuela · Asunción · Paraguay  
 ☎ +595-992-921719 · 📠 +49-4191-508-129  
 a.bauer@wiska.de · www.wiska.lat

<b>Lighting Conditions</b>	Low light
<b>Min. illumination</b>	0,005 lx / 0,0005 lx (b/w)
<b>Angle of View (horizontal)</b>	55.8° - 2.3°
<b>Angle of View (vertical)</b>	31.9° - 1.3°
<b>Pan/Tilt</b>	Remote operated
<b>P/T-Type</b>	included
<b>Presets P/T</b>	Yes
<b>Rotation horizontal</b>	330 °
<b>Rotation vertical</b>	+20° / -80°
<b>Mounting</b>	Upside
<b>Voltage</b>	110 V - 230 V
<b>Type of Voltage</b>	AC, 50-60Hz
<b>Wattage</b>	60 W
<b>Junction box required</b>	Yes
<b>CCTV add-on</b>	BLC, WDR
<b>Tariff number</b>	85258100

Remarks:

Flameproof PTZ network Camera Station,  
 Outdoor,  
 IP66, IP68 (0.2bar (op), 30min),  
 stainless steel SUS316L  
 Approval: TÜV IECEX  
 Marking:  
 II 2 G Ex db IIC T6 Gb Zone 1;  
 Housing: Flameproof "d"  
 Internal junction-box: Flameproof "d"  
 Power supply: 230VAC  
 Including:  
 Cameramodule: SDZ4032, Full HD 1080p,  
 32x optical zoom,  
 Pan&Tilt unit with speed control  
 Station including wiper  
 //up-side-mounting//

22.06.2026

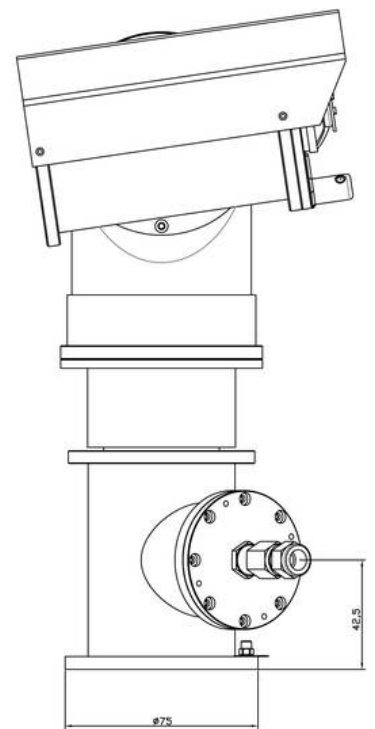
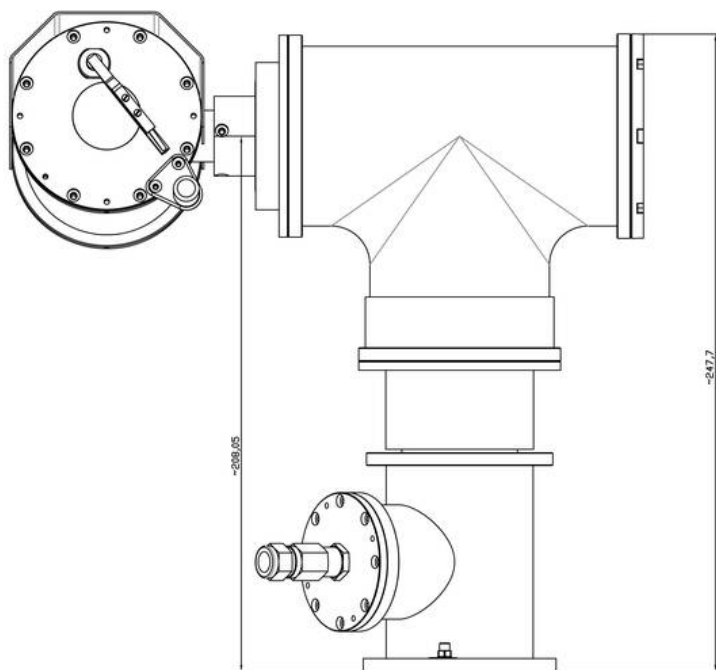
Your Contact:

**WISKA America SRL**

Mr. Alexander Bauer · Cervantes 911 c/Venezuela · Asunción · Paraguay

☎ +595-992-921719 · 📠 +49-4191-508-129

a.bauer@wiska.de · www.wiska.lat



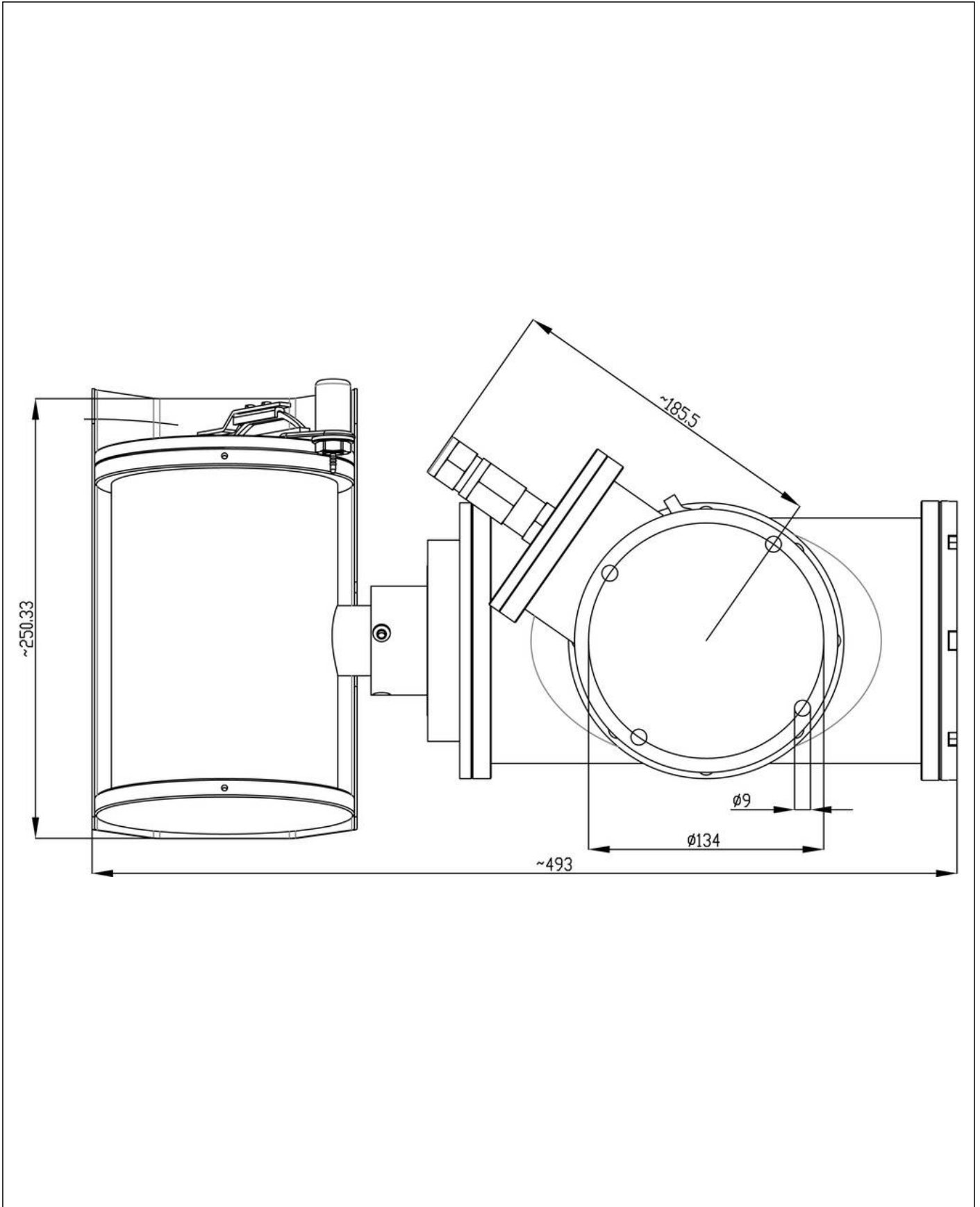
Your Contact:

**WISKA America SRL**

Mr. Alexander Bauer · Cervantes 911 c/Venezuela · Asunción · Paraguay

☎ +595-992-921719 · 📠 +49-4191-508-129

a.bauer@wiska.de · www.wiska.lat



Your Contact:

**WISKA America SRL**

Mr. Alexander Bauer · Cervantes 911 c/Venezuela · Asunción · Paraguay

☎ +595-992-921719 · 📠 +49-4191-508-129

a.bauer@wiska.de · www.wiska.lat